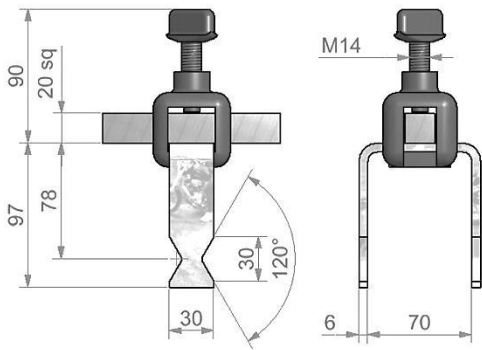
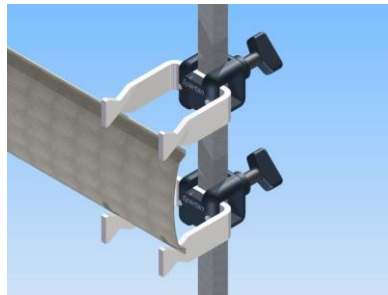
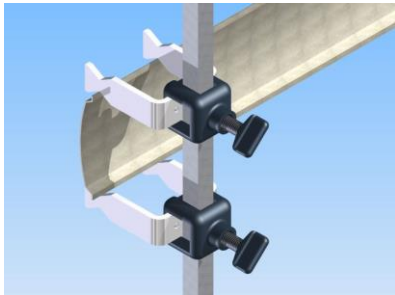


# SPARTAN® CLAMPS AND FLOATS



Weight 82 grams



## Spartan® box clamp

A new addition to our range of G-clamps, plier clamps & floats

- Using the same tried and tested engineering design
- With the same thermoplastic materials suitable for all anodising processes

Available in two different materials:

- Standard Noryl for temperatures up to 105°C, designed to address specific problems associated with hostile environments, such as acid, heat, paint & solvents.
- High-temperature Radel up to 220°C, superior engineering thermoplastic suitable for phosphate brightening, chromate pre-treatment, finishing, paint and powder-coating lines .

Available with or without aluminium clips.

Quick and easy to set.

Adjustable to accommodate a wide variety of shapes and sizes.

Holds profiles securely.