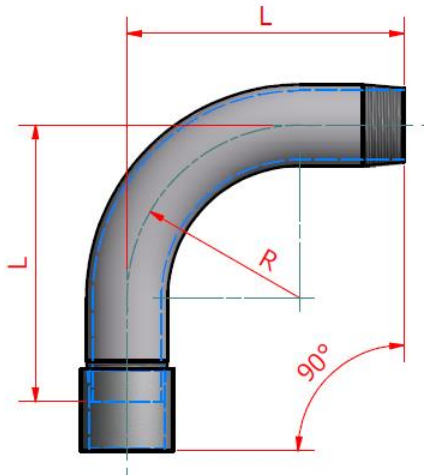


MILD STEEL SCREWED PIPE FITTINGS

BS EN 10241



90 degree bend



Nominal bore		Approx. centre to face dim. L	Approx. centre line radius dim. R	Weight each bend only	Weight each including socket
Metric	Imperial	mm	mm	kgs	kgs
6mm	1/8"	51	32	0.04	0.06
8mm	1/4"	64	41	0.08	0.12
10mm	3/8"	73	48	0.12	0.17
15mm	1/2"	86	50	0.19	0.27
20mm	3/4"	102	60	0.30	0.40
25mm	1"	121	70	0.58	0.73
32mm	1 1/4"	146	89	0.88	1.12
40mm	1 1/2"	165	105	1.15	1.47
50mm	2"	203	127	1.91	2.38
65mm	2 1/2"	248	180	3.28	3.99
80mm	3"	292	205	5.24	6.26
100mm	4"	431	297	10.30	12.40
125mm	5"	540	377	16.00	18.50
150mm	6"	622	437	22.00	24.90

Bends are also available with plain or chamfered ends.