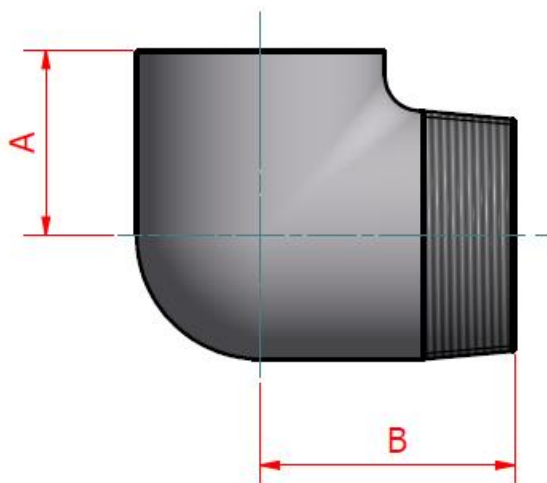


# MILD STEEL SCREWED PIPE FITTINGS

## BS EN 10241



**Male/female elbow**



Nominal bore		Centre to face dim. A	Centre to face dim. B	Weight each
Metric	Imperial	mm	mm	kgs
8mm	1/4"	19	27	0.04
10mm	3/8"	21	29	0.07
15mm	1/2"	25	35	0.13
20mm	3/4"	30	40	0.19
25mm	1"	37	46	0.34
32mm	1 1/4"	43	54	0.62
40mm	1 1/2"	49	57	0.73
50mm	2"	59	70	1.26
65mm	2 1/2"	68	83	2.12
80mm	3"	81	94	2.90
100mm	4"	100	115	6.06