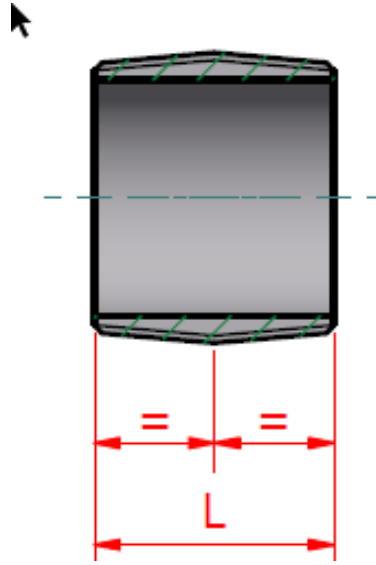


# MILD STEEL SCREWED PIPE FITTINGS

## BS EN 10241



Close taper nipple



Nominal bore		Overall length dim. L	Approx. wall thickness	Weight each
Metric	Imperial	mm	mm	kgs
6mm	1/8"	19	2.0	0.01
8mm	1/4"	27	2.9	0.01
10mm	3/8"	28	2.9	0.02
15mm	1/2"	37	3.2	0.04
20mm	3/4"	39	3.2	0.05
25mm	1"	46	4.1	0.10
32mm	1 1/4"	51	4.1	0.13
40mm	1 1/2"	51	4.1	0.16
50mm	2"	60	4.5	0.25
65mm	2 1/2"	69	4.5	0.35
80mm	3"	75	4.9	0.51
100mm	4"	87	5.4	0.86
125mm	5"	96	5.4	1.10
150mm	6"	96	5.4	1.12