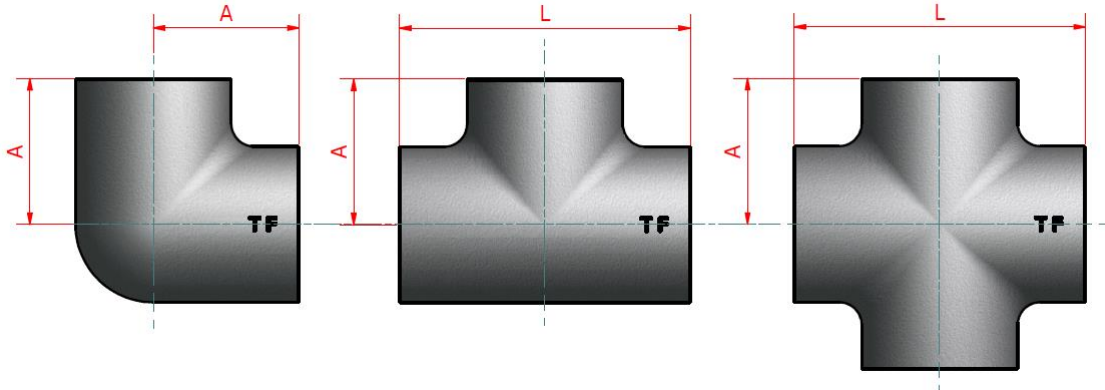


MILD STEEL SCREWED PIPE FITTINGS

BS EN 10241



90 degree female elbow

Equal tee

Cross



Nominal bore		Centre to face dim. A	Length dim. L	Weight each		
				Fem. Elbow	Eq. tee	Cross
Metric	Imperial	mm	mm	kgs	kgs	kgs
6mm	1/8"	16	32	0.09	0.11	-
8mm	1/4"	22	44	0.07	0.09	-
10mm	3/8"	24	48	0.09	0.10	-
15mm	1/2"	32	64	0.17	0.20	0.24
20mm	3/4"	35	70	0.26	0.23	0.31
25mm	1"	43	86	0.42	0.46	0.50
32mm	1 1/4"	51	102	0.64	0.71	0.80
40mm	1 1/2"	52	104	0.76	0.87	0.99
50mm	2"	64	128	1.22	1.45	1.66
65mm	2 1/2"	76	152	2.00	2.31	2.65
80mm	3"	89	178	2.71	3.25	3.79