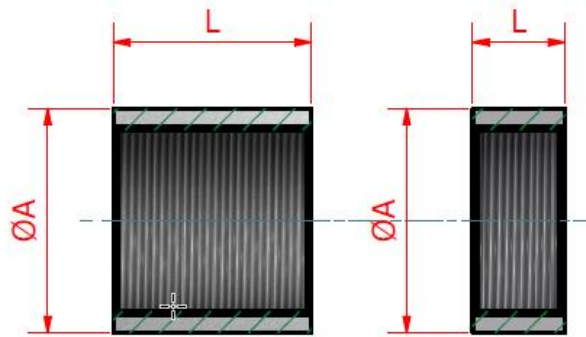


MILD STEEL SCREWED PIPE FITTINGS

BS EN 10241



Heavyweight sockets full and half



Nominal bore		Minimum outside diameter dim. A	Full socket length dim. L	Half socket length dim. L	Weight each	
					Full socket	Half socket
Metric	Imperial	mm	mm	mm	kgs	kgs
6mm	1/8"	15	19	8	0.02	0.01
8mm	1/4"	18.5	19	27	0.03	0.02
10mm	3/8"	22	28	12	0.04	0.02
15mm	1/2"	27	37	16	0.08	0.04
20mm	3/4"	32.5	39	19	0.1	0.05
25mm	1"	39.5	46	21	0.16	0.08
32mm	1 1/4"	49	51	25	0.25	0.12
40mm	1 1/2"	56	51	25	0.32	0.16
50mm	2"	68	60	28	0.47	0.24
65mm	2 1/2"	84	69	30	0.71	0.36
80mm	3"	98	75	35	1.02	0.51
100mm	4"	124	87	40	2.1	0.76
125mm	5"	151	96	44	2.5	-
150mm	6"	177	96	44	2.84	-