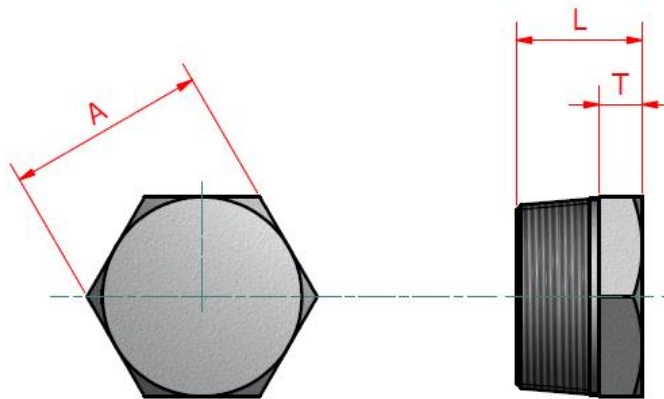


MILD STEEL SCREWED PIPE FITTINGS

BS EN 10241



Hex head plug



Nominal bore		Minimum length dim. L	Width across hexagon flats dim. A	Minimum thickness of hexagon dim. T	Weight each
Metric	Imperial	mm	mm	mm	kg
6mm	1/8"	9.5	12	6	0.01
8mm	1/4"	12.5	14	6	0.02
10mm	3/8"	12.5	17	8	0.04
15mm	1/2"	17.5	22	8	0.07
20mm	3/4"	19.0	27	10	0.12
25mm	1"	21.0	36	10	0.22
32mm	1 1/4"	24.0	46	11	0.40
40mm	1 1/2"	24.0	50	13	0.54
50mm	2"	27.0	65	14	0.95
65mm	2 1/2"	32.0	78	16	1.75
80mm	3"	35.0	90	19	2.62
100mm	4"	40.0	115	22	5.17
125mm	5"	45.0	140	25	8.79
150mm	6"	45.0	166	25	12.45