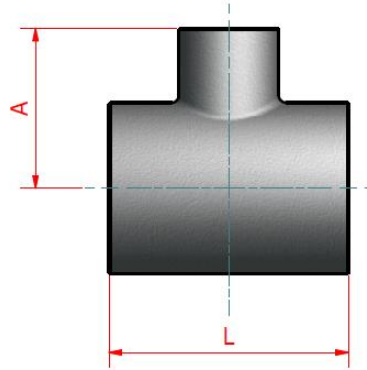


MILD STEEL SCREWED PIPE FITTINGS

BS EN 10241



Reducing tees

Sizes are nominal bore "1" x nominal bore "2"
Other sizes are available on request.



Nominal bore		Centre to face dim. A	Centre to face dim. L	Weight each
Metric	Imperial	mm	mm	kg
8 x 6mm	1/4" x 1/8"	22	48	0.08
10 x 8mm	3/8" x 1/4"	24	48	0.11
15 x 8mm	1/2" x 1/4"	32	64	0.23
15 x 10mm	1/2" x 3/8"	32	64	0.23
20 x 8mm	3/4" x 1/4"	35	70	0.34
20 x 10mm	3/4" x 3/8"	35	70	0.33
20 x 15mm	3/4" x 1/2"	35	70	0.30
25 x 8mm	1" x 1/4"	43	86	0.64
25 x 10mm	1" x 3/8"	43	86	0.61
25 x 15mm	1" x 1/2"	43	86	0.59
25 x 20mm	1" x 3/4"	43	86	0.53
32 x 15mm	1 1/4" x 1/2"	51	102	0.64
32 x 20mm	1 1/4" x 3/4"	51	102	0.60
32 x 25mm	1 1/4" x 1"	51	102	0.56
40 x 15mm	1 1/2" x 1/2"	52	104	1.25
40 x 20mm	1 1/2" x 3/4"	52	104	1.10
40 x 25mm	1 1/2" x 1"	52	104	1.00
40 x 32mm	1 1/2" x 1 1/4"	52	104	0.95
50 x 15mm	2" x 1/2"	64	108	1.55
50 x 20mm	2" x 3/4"	64	108	1.50
50 x 25mm	2" x 1"	64	108	1.45
50 x 32mm	2" x 1 1/4"	64	108	1.35
50 x 40mm	2" x 1 1/2"	64	108	1.25
65 x 25mm	2 1/2" x 1"	54	152	1.40
65 x 40mm	2 1/2" x 1 1/2"	60	152	1.64
65 x 50mm	2 1/2" x 2"	67	152	2.07
80 x 25mm	3" x 1"	60	178	1.96
80 x 32mm	3" x 1 1/4"	64	178	2.57
80 x 40mm	3" x 1 1/2"	67	178	2.57
80 x 50mm	3" x 2"	73	178	2.69
80 x 65mm	3" x 2 1/2"	79	178	3.07
100 x 50mm	4" x 2"	76	230	4.75
100 x 65mm	4" x 2 1/2"	83	230	5.01
100 x 80mm	4" x 3"	95	230	5.85