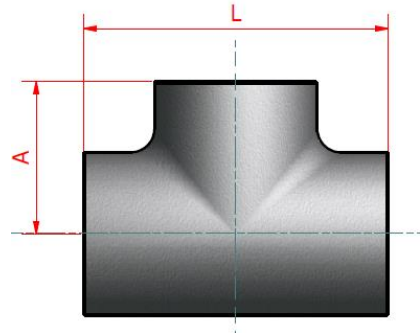


**90 degree female elbow**



**Equal tee**



| Nominal bore |          | Centre to face dim. A | Length dim. L | Weight kgs. each |         |
|--------------|----------|-----------------------|---------------|------------------|---------|
| Metric       | Imperial | mm                    | mm            | Fem. Elbow       | Eq. tee |
| 6mm          | 1/8"     | 17.0                  | 34.0          | 0.02             | 0.03    |
| 8mm          | 1/4"     | 19.0                  | 38.0          | 0.03             | 0.04    |
| 10mm         | 3/8"     | 22.0                  | 44.0          | 0.05             | 0.06    |
| 15mm         | 1/2"     | 25.0                  | 50.0          | 0.07             | 0.10    |
| 20mm         | 3/4"     | 28.5                  | 57.0          | 0.09             | 0.14    |
| 25mm         | 1"       | 34.0                  | 68.0          | 0.15             | 0.24    |
| 32mm         | 1 1/4"   | 40.5                  | 81.0          | 0.24             | 0.32    |
| 40mm         | 1 1/2"   | 45.0                  | 90.0          | 0.30             | 0.37    |
| 50mm         | 2"       | 54.0                  | 108.0         | 0.51             | 0.63    |
| 65mm         | 2 1/2"   | 68.0                  | 136.0         | 0.83             | 1.10    |
| 80mm         | 3"       | 78.0                  | 156.0         | 1.40             | 1.73    |
| 100mm        | 4"       | 94.0                  | 188.0         | 2.17             | 3.05    |