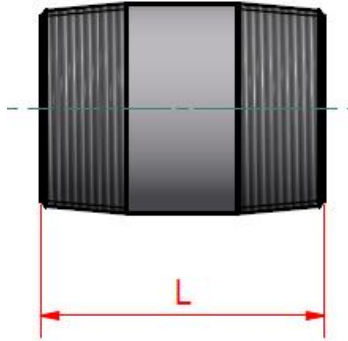


MILD STEEL SCREWED PIPE FITTINGS

BS EN 10241



Heavyweight barrel nipple



Nominal bore		Overall length dim. L	Approx. wall thickness	Weight each
Metric	Imperial	mm	mm	kgs
6mm	1/8"	32	2.0	0.01
8mm	1/4"	38	2.9	0.02
10mm	3/8"	38	2.9	0.03
15mm	1/2"	51	3.2	0.06
20mm	3/4"	54	3.2	0.07
25mm	1"	60	4.1	0.14
32mm	1 1/4"	70	4.1	0.20
40mm	1 1/2"	70	4.1	0.23
50mm	2"	79	4.5	0.37
65mm	2 1/2"	89	4.5	0.55
80mm	3"	102	4.9	0.84
100mm	4"	114	5.4	1.22
125mm	5"	124	5.4	1.71
150mm	6"	127	5.4	1.98

Special length barrel nipples can be supplied to customer requirements.